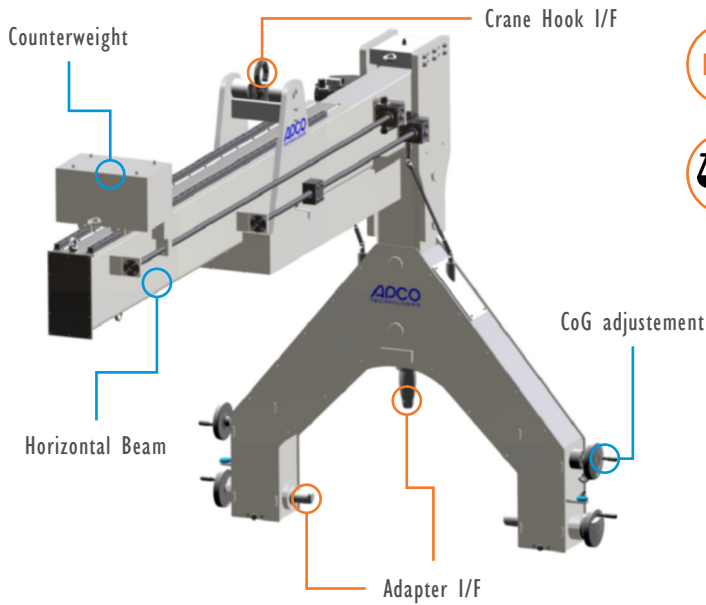


# AT280 HOISTING DEVICE



## PHYSICAL CHARACTERISTICS

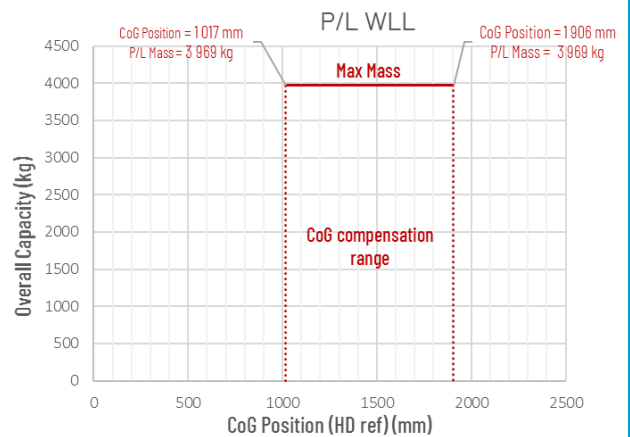
Dimensions L x W x H	4463 x 2142 x 3679 mm	
Net Mass (without beams)	2900 kg	
Safety Factors	Yield	3
	Ultimate	5
Load Factors	Static	2*
	Dynamic	1.5
Lifting I/F	Two lateral pins + 1 vertical pin	

\* For a maximum tilting angle of 6°, in accordance with NF EN 13155

## PERFORMANCES

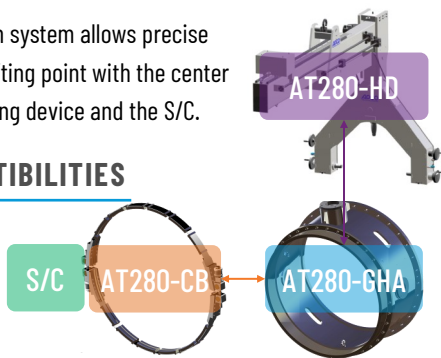
Payload WLL\* (see diagram) **3969 kg**

\* @ 1g vertical and ±0.2g lateral accelerations

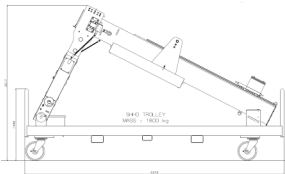


- CoG compensation system allows precise alignment of the lifting point with the center of gravity of the lifting device and the S/C.

## RANGE COMPATIBILITIES



## TRANSPORT



- On a trolley under tarpaulin
- 5376 x 2340 x 3217 mm

## OPERATIONAL CHARACTERISTICS

Motion Mode	Manual	
Type of mouvement	Polar	
CoG Compensation range (from HD I/F)	Mini-Maxi	1017-1906 mm
	Course	879 mm
Environnement Specifications	ISO 8	

## DELIVERABLES DOCUMENTS

Operating Handbook	Risk Analysis	DML-DPL
FMECA	Test Report	Analysis Report

HERITAGE



## DETAILS

