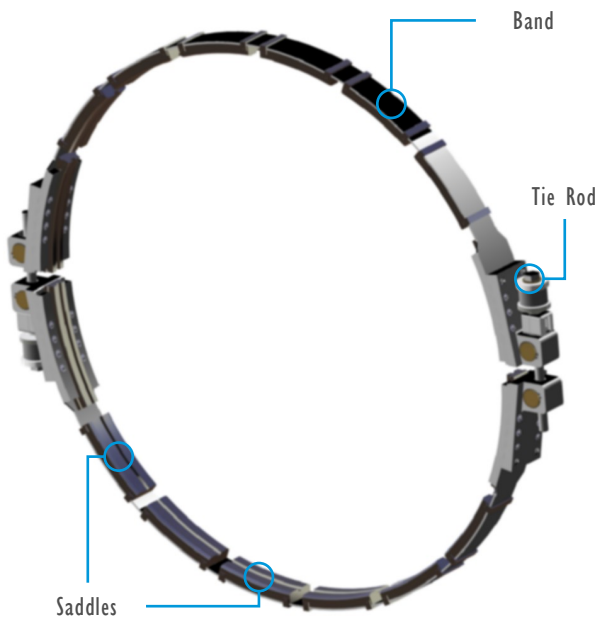


# AT280 CLAMP-BAND



## PHYSICAL CHARACTERISTICS

Dimensions Ø x H	1480 x 100 mm	
Net Mass	50 kg	
Safety Factors	Yield	Depending on activity and adapter
	Ultimate	
S/C Interface	LIR Ariane 5 1194 C	

## PERFORMANCES

Payload WLL Depending on activity and combined adapter

## RANGE COMPATIBILITIES

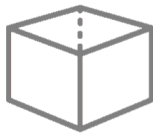


## OPERATIONAL CHARACTERISTICS

Monitoring systems	Tension
Environnement Specifications	ISO 8
	ATEX II 2 G-II BT 4

- Clamp-band tightening tensions are computed according to payload and use.
- The item is provided with a tension monitoring display.
- For high torques and/or narrow tightening areas, Superbolt™ can be proposed in option.
- This clamp-band is designed to withstand handling and transport activities.

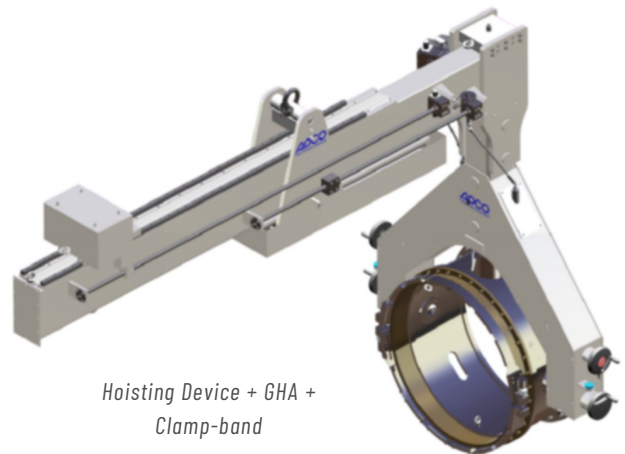
## TRANSPORT



1600 x 1110 x 400 mm

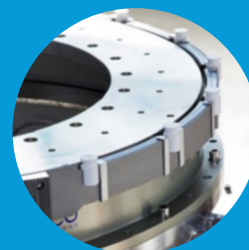
## DELIVERABLES DOCUMENTS

Operating Handbook	Risk Analysis	DML-DPL
FMECA	Test Report	Analysis Report



Hoisting Device + GHA +  
Clamp-band

## HERITAGE



## DETAILS