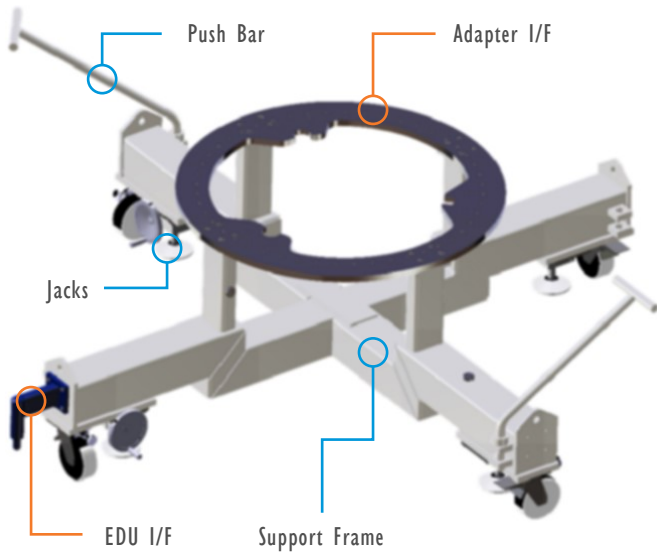


# AT200 VERTICAL INTEGRATION STAND

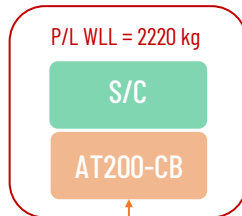


## PHYSICAL CHARACTERISTICS

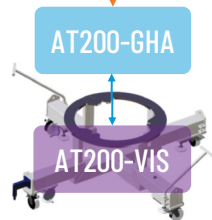
Dimensions L x W x H (without EDU)	3040 x 3040 x 960 mm	
Net Mass	820 kg	
Allowable envelop Ø	3240 mm	
Safety Factors	Yield	3
	Ultimate	5
Load Factors	Static	2
	Dynamic	/
Adapters I/F	48 x M16 threaded holes on a Ø1260 mm circle pattern	

## TRANSPORT

- On a pallet under tarpaulin
- By truck, ship or plane



## RANGE COMPATIBILITIES



## PERFORMANCES

Payload WLL*	2325 kg
--------------	---------

\* @ 1g vertical and ±0.5g lateral accelerations

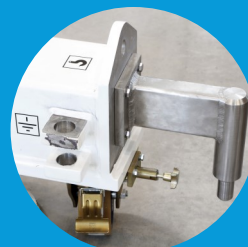
## OPERATIONAL CHARACTERISTICS

Number of Jacks / Wheels	4
Facility handling	EDU
	Pushbar
	Crane
Environnement Specifications	ISO 8
	Hydrazine Compatible

## DELIVERABLES DOCUMENTS

Operating Handbook	Risk Analysis	DML-DPL
FMECA	Test Report	Analysis Report

## HERITAGE



## DETAILS

